

Information for treatment facilities		
Company Name	SEIKO EPSON	
Products Name	WF-C20590	
Type of equipment	BIJ	
Component or Material [EICTA,CECED and EERA Joint Position Guidance September 26,2005]	Judgment	Location No.
Battery (internal*) containing Mercury (Hg)/ NiCad/ Lithium/ Other	Yes	1
Backlighting Lamps of LCD/TFT or similar screens containing Mercury (Hg)	No	
Mercury (Hg) in other applications**	No	
Cadmium**	No	
Gas discharge Lamps	No	
Plastic containing brominated flame retardants other than in Printed Circuit Assemblies***	No	
Liquid Crystal Displays with surface greater than 100 cm ²	No	
Capacitors with PCB's	No	
Capacitors with substances of concern**** + height >25 mm, diameter >25mm or proportionately similar volume	Yes	13
Asbestos	No	
Refractory ceramic fibers	No	
Radio-active substances	No	
Beryllium Oxide	No	
Other forms of Beryllium	No	
Gasses-which fall under Regulation(EC)2037/2000 and all hydrocarbons (HC).	No	
Components with pressurized gas which need special attention Pressure >1.5 bar	No	
Liquids if volume > 10cl (or equivalence in weight,e.g. for PCB,oil...)	No	
Mechanical components that store mechanical energy (i.e. springs) or equivalent parts which need special attention (diameter > 10mm and height > 25mm or proportionally similar volume and expanding)	Yes	2~12

Blue area = Blue area the need for the location of the compartment/ substances within the product. When the location of a substance/ components is requested, it is at part level, e.g. main board, housing, etc.

* Internal means that batteries can only be removed by opening the product by means of (a) tool(s).

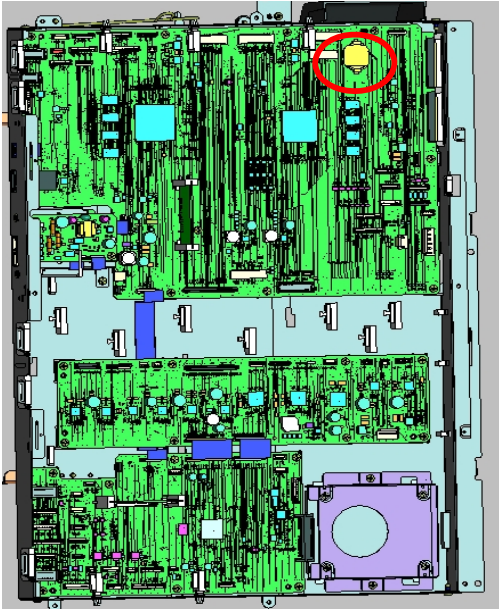
** Substances are considered to be in the product if present above the levels specified in Commission Decision 2005/618/EC related to Directive 2002/95/(EC) (RoHS Directive) or if their use is permitted through exemptions in the Annex of Directive 2002/

*** To be coherent with industry current standards and practices on tracking of plastic parts, Directive 2002/96 (EC) Annex II requirement is understood to focus on plastic parts that weight more than 25 g.

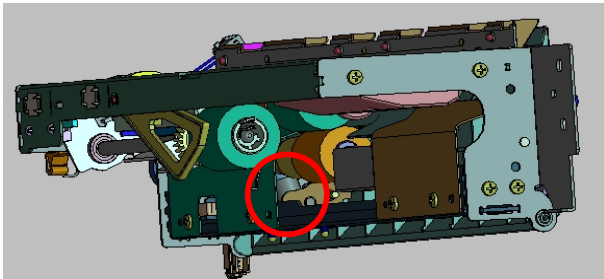
**** Substance of concern other than PCB, to be specified/ addressed further in the context of Directive 2002/96 (EC) Annex II national requirements and European developments.

Location information

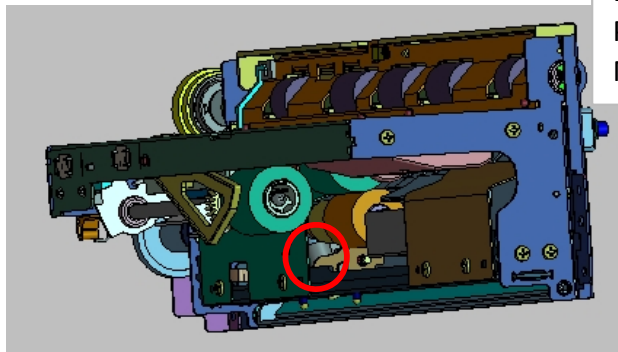
Company Name	SEIKO EPSON
Products Name	WF-C20590
Type of equipment	BIJ



Location No.1



Location No.2
Parts Name : COMPRESSION SPRING,5.ASF x1
MATERIAL : SUS304WPB



Location No.3
Parts Name : COMPRESSIONSPRING,5.ASF x1
MATERIAL : SUS304WPB

Location information

Company Name

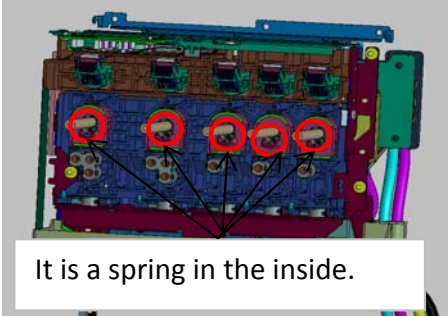
SEIKO EPSON

Products Name

WF-C20590

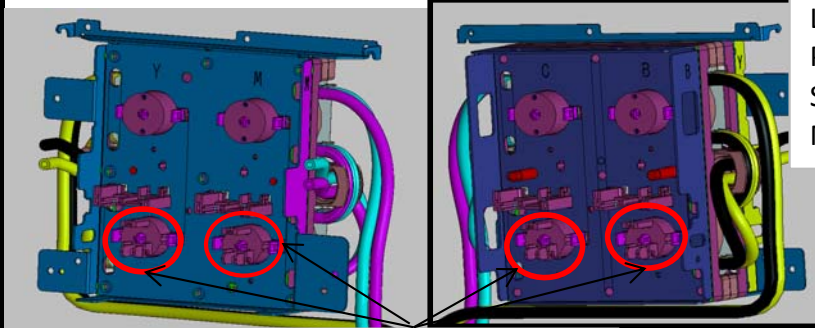
Type of equipment

BIJ



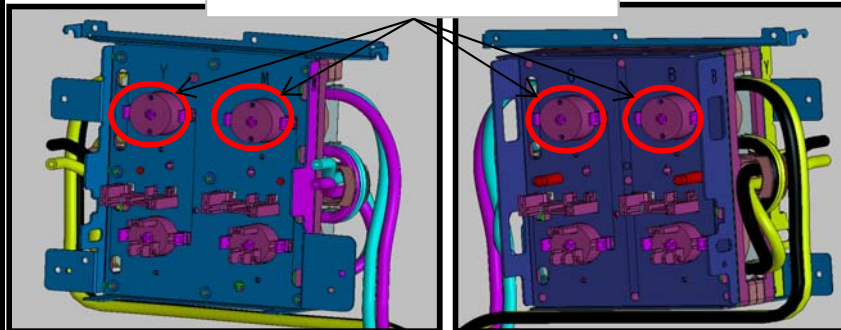
Location No.4

Parts Name : COMPRESSION SPRING,12.5,ICH x5



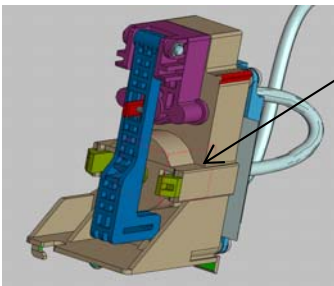
Location No.5

Parts Name : COMPRESSION SPRING,9.37,SUB TANK,UP,MD x4
MATERIAL : SUS304WPB



Location No.6

Parts Name : COMPRESSION SPRING,8.83,SUB TANK,LOW,MD x4

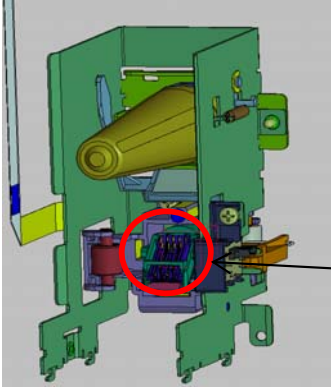


Location No.7

Parts Name : COMPRESSION SPRING,16.1,VALVE,CONNECT,AP x1
MATERIAL : SUS304 WPB

Location information

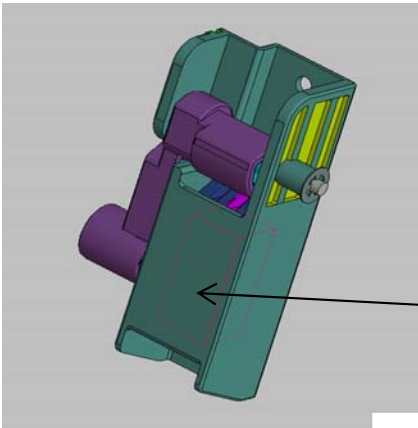
Company Name	SEIKO EPSON
Products Name	WF-C20590
Type of equipment	BIJ



Location No.8

Parts Name : COMPRESSION SPRING,6.19,IE x1

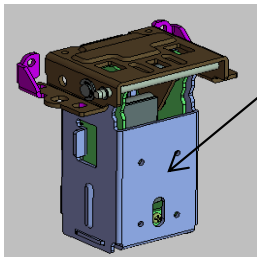
It is a spring in the inside.



Location No.9

Parts Name : COMPRESSION SPRING,92.6,HINGE,LD,ADF x1
MATERIAL : SUS304WPB SWIC-F(SW-C)

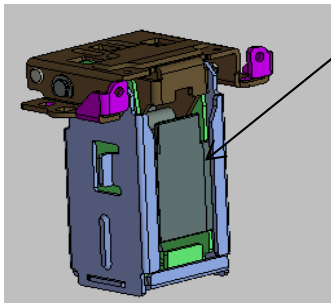
It is a spring in the inside.



It is a spring in the inside.

Location No.11

Parts Name : COMPRESSION SPRING x2



It is a spring in the inside.

Location No.12

Parts Name : COMPRESSION SPRING x1

Location information

Company Name	SEIKO EPSON
Products Name	WF-C20590
Type of equipment	BIJ

Location No.13
Parts Name : Electrolytic capacitor x3

